

Kmini -SERIES



LED STREET LIGHTS



High-efficacy LED light source

Philips Lumileds 3030 2D
Greater than 165lm/W high efficacy,
illumination grade LED light source.

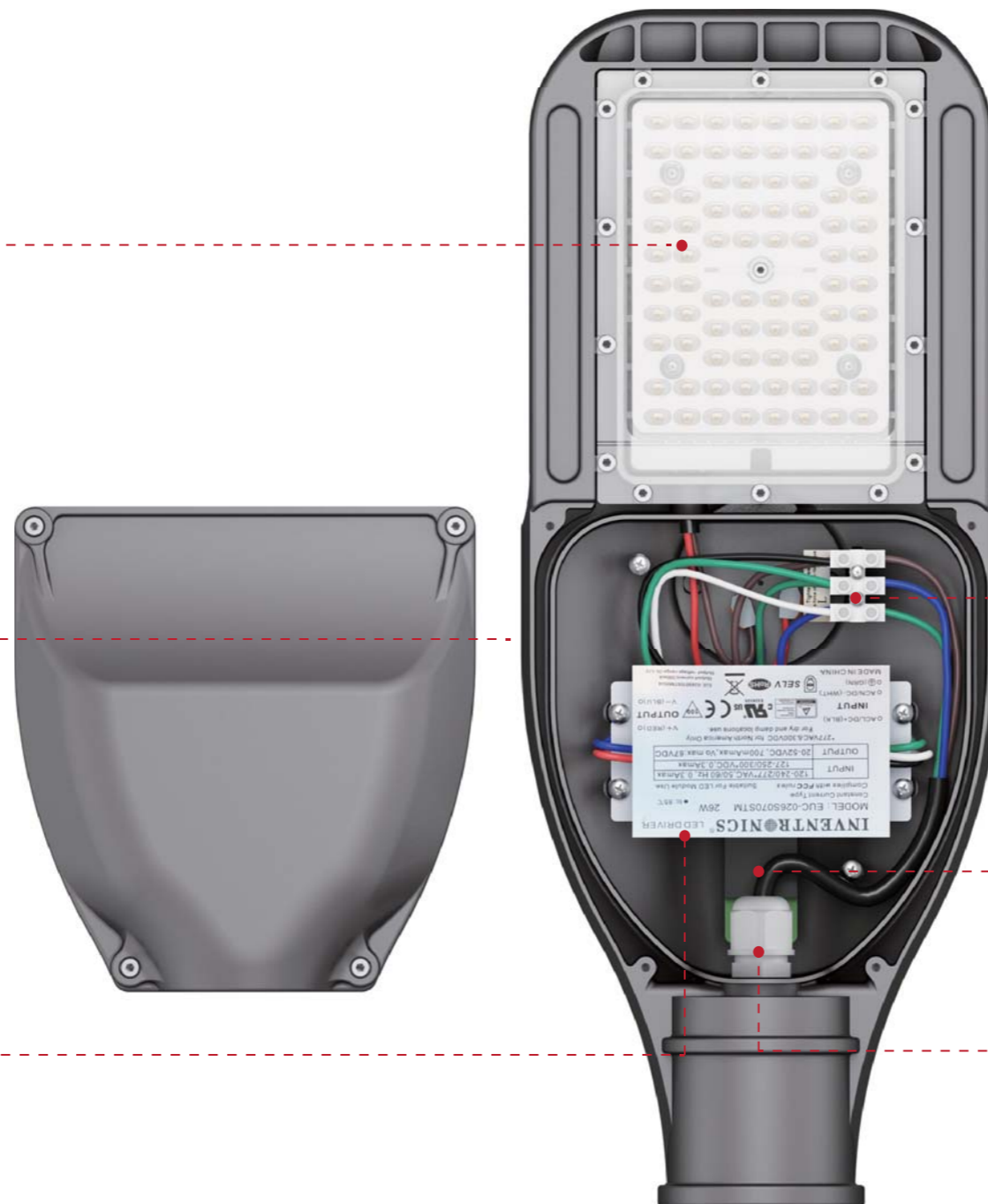


Photocell available

Lamp will Auto turn on and off according to lux difference.



High-end Inventronics LED driver, integrate dimming
function and 4KV /6KV surge protection. Provide excellent
performance and lifespan.



Connect base

Disassemble easily which reduces maintenance costs.



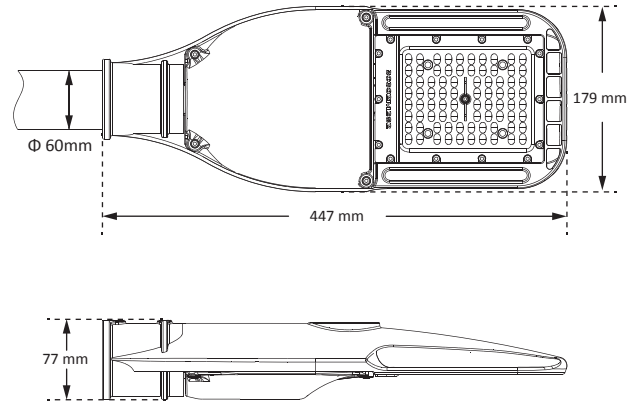
Surge protection device(10KV)

To provide more reliable guarantee for LED driver,
extend the life of the product.



Waterproof connector

Use M16 waterproof connector to ensure that the driver box is
waterproof and damage caused by excessive force.



Electrical & Photometric

Series	Model	LED Qty/ Current	Power	Luminaire efficacy (+/- 5%)	Lumen Output (+/- 5%)	Input Voltage	LED Brand	Driver Brand	Dimming 0(1)-10V	Light Distributions	CCT (K)	Surge Protection Device	Lifetime (h)
Kmini	ZGSM-LD28Kmini	40units/ 100mA	28W	135 lm /w	3780 lm	100-240V /277V AC 50 /60Hz	Philips Lumileds 3030 2D	Inventronics	×	TypeII, Medium	3000* 4000 5000 5700	10KV	>100,000 (L70)
	ZGSM-LD38Kmini	56units/ 100mA	38W	130 lm /w	4940 lm				√				
	ZGSM-LD57Kmini	80units/ 105mA	57W	130 lm /w	7410 lm				√				

*Luminous Efficacy of 3000K is 5% lower than other CCTs.

Working Environment & Packing

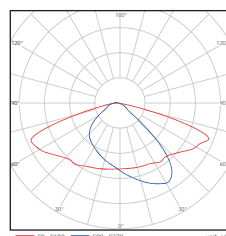
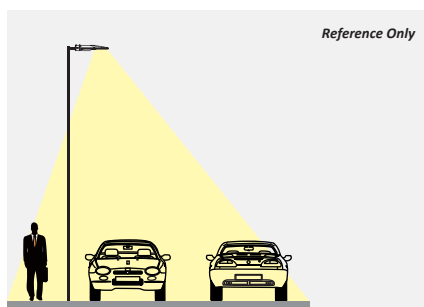
Model	Product Dimensions (mm)	Carton Size (mm)	N.W (kg)	G.W (kg)	Working Environment	Storage Temperature	Rating	CRI	Power Factor	Power Efficiency	Material	Pole Diameter (mm)
ZGSM-LD28Kmini	447*179*77	465*200*100	2.2	2.6	-40 °C ~ +50 °C 10% ~ 90%RH	-40 °C ~ +50 °C	Class I IP66 IK10	>70	>0.95	>90%	Housing: Die-cast aluminum Lens: PC	60 (50 optional)
ZGSM-LD38Kmini	447*179*77	465*200*100	2.2	2.6								
ZGSM-LD57Kmini	447*179*77	465*200*100	2.3	2.7								

Note: Above data of weight are all typical values.

Certification

Manufacturer
ISO9001, ISO14001
Kmini Series [ZGSM-LD28Kmini, ZGSM-LD38Kmini, ZGSM-LD57Kmini.]
CE, CB, ROHS, ENEC, LM80

Optics



TYPE II

The Type II lens of ZGSM Kmini series street light has beam angle of 65*155 degrees. In the IESNA Standard, the Type II distribution is used for wide walkways, on ramps and entrance roadways, as well as other long, narrow lighting. It is generally applicable to where the width of the roadway does not exceed 1.75 times the designed mounting height.

Solar Street Light System



Model list:
ZGSM-LD28Kmini,
ZGSM-LD38Kmini,
ZGSM-LD57Kmini

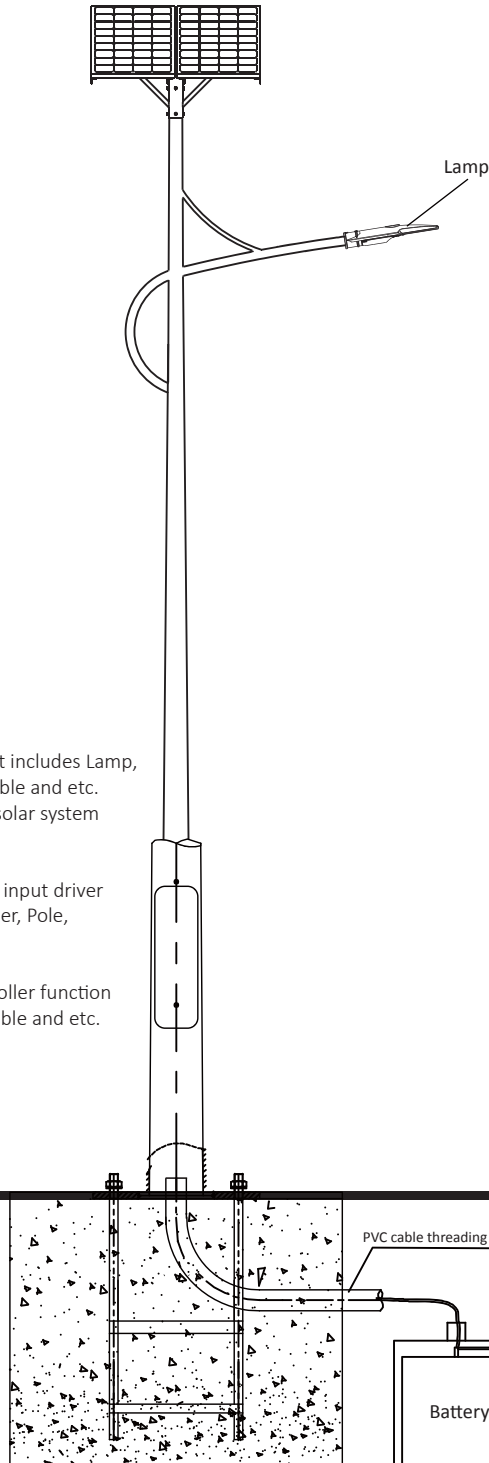
A complete set of Solar street light includes Lamp, Battery, Panel, Controller, Pole, Cable and etc. ZGSM also provides solutions for solar system based on Kmini series.

Option 1

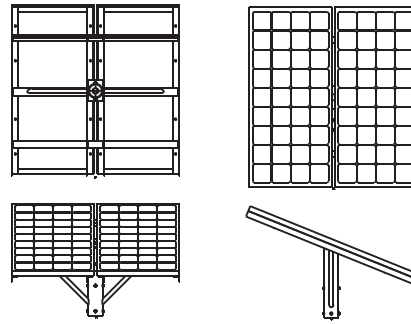
ZGSM Street Light with DC12/24V input driver
Rest parts: Battery, Panel, Controller, Pole, Cable and etc.

Option 2

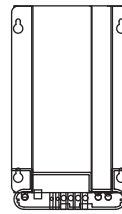
ZGSM Street light combines controller function
Rest parts: Battery, Panel, Pole, Cable and etc.



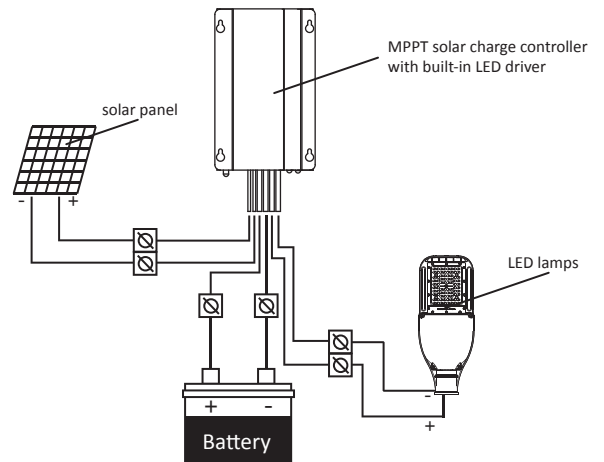
SOLAR PANEL



CONTROLLER



PARTS CONNECTION DIAGRAM



GROUND

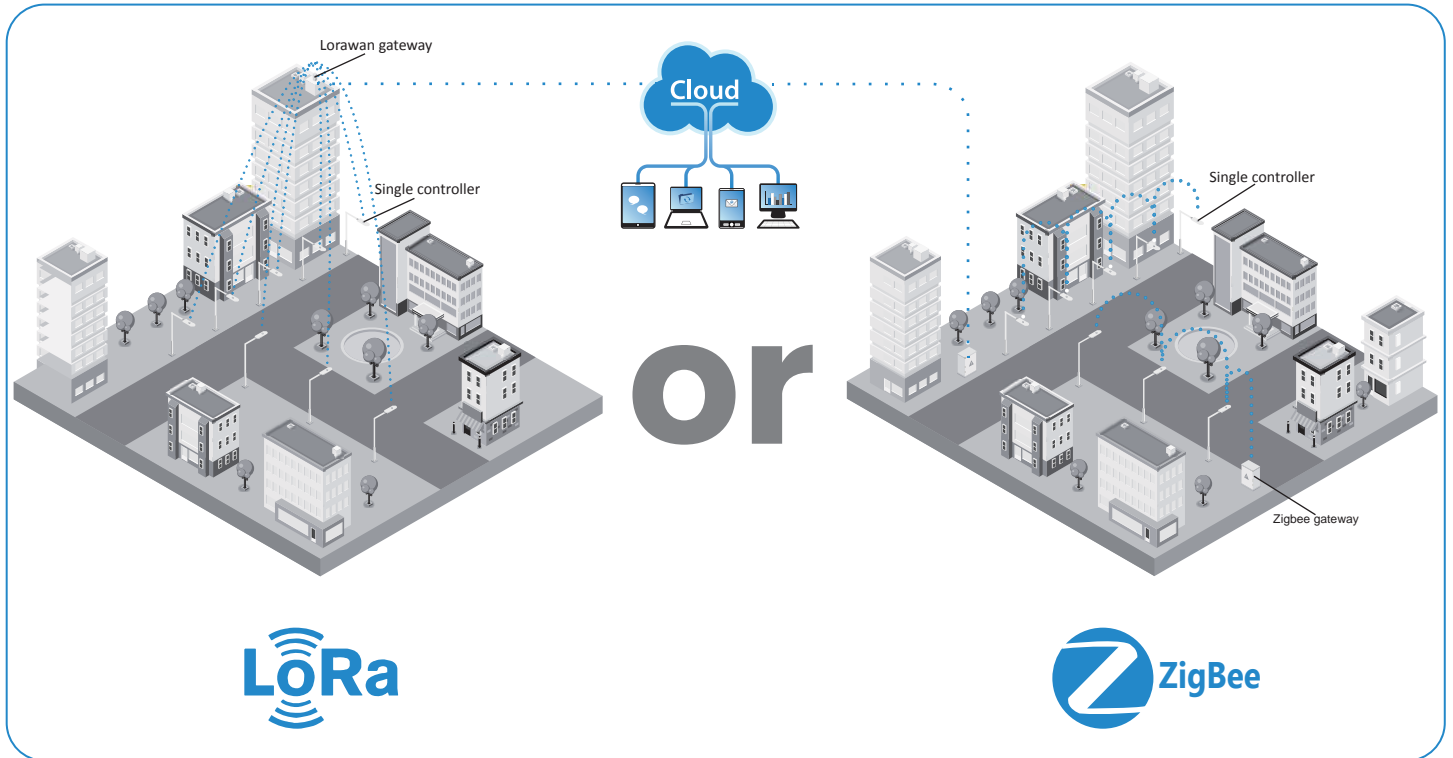
Customized service

Due to each city has its own sunshine condition, and customers have different working hours and rainy days on request.

If you want to know more exact configuration, please contact us for below questions:

1. What is the geographical location your solar LED street lighting system will be installed?
2. How many hours per night the LED street light works?
3. How many days to backup in case of continuous rainy days?
4. Do you need dimming the LED street light (during the off-peak hours)?
5. Do you have any other requirements?

Intelligence Street Lighting System



ZGSM provides a total solution for intelligence street lighting system.

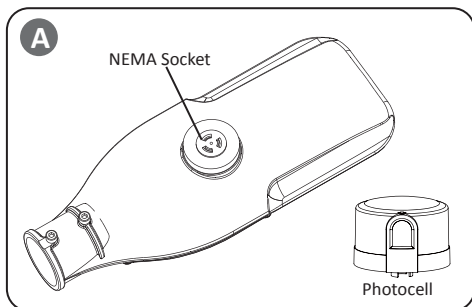
ZGSM street light intelligence system is made up by software, gateway, single light controller. The gateway is installed in the distribution cabinet, the single light controller is installed in the lighting terminal. It proceeds with communication via GPRS/ CDMA/ WCDMA wireless network or cable network & monitor center and proceeds with communication via ZIGBEE/ LORA.

Gateway can control each single light controller via receiving, executing, forwarding PC management software, which can control each lamp's switching on/ off or dimming, then save electric energy. It can also monitor the lamps' electric energy to achieve failure lamps function. Gateway can built-in DO to achieve street light loop control, it can connect with other equipment to collect local illumination, temperature and other information, feedback to PC management software and achieve to monitor the current information.

At present, all our series of LED street lights can be combined with the intelligence street lighting system... If you want to know more, please contact ZGSM Team.

Optical Control

Optical control function is supported by optional



If the fixture with PHOTOCELL function, the NEMA Socket will be installed on the cover of fixture. See **A**. Fit the pins of Photocell to NEMA Socket, firmly insert and rotate Photocell to proper position.

<Verifying>

Make sure all the connections done and photocell is well installed on the fixture, switch on the power supply and cover the window of NEMA Socket, wait 5 seconds, the fixture will be turned on.